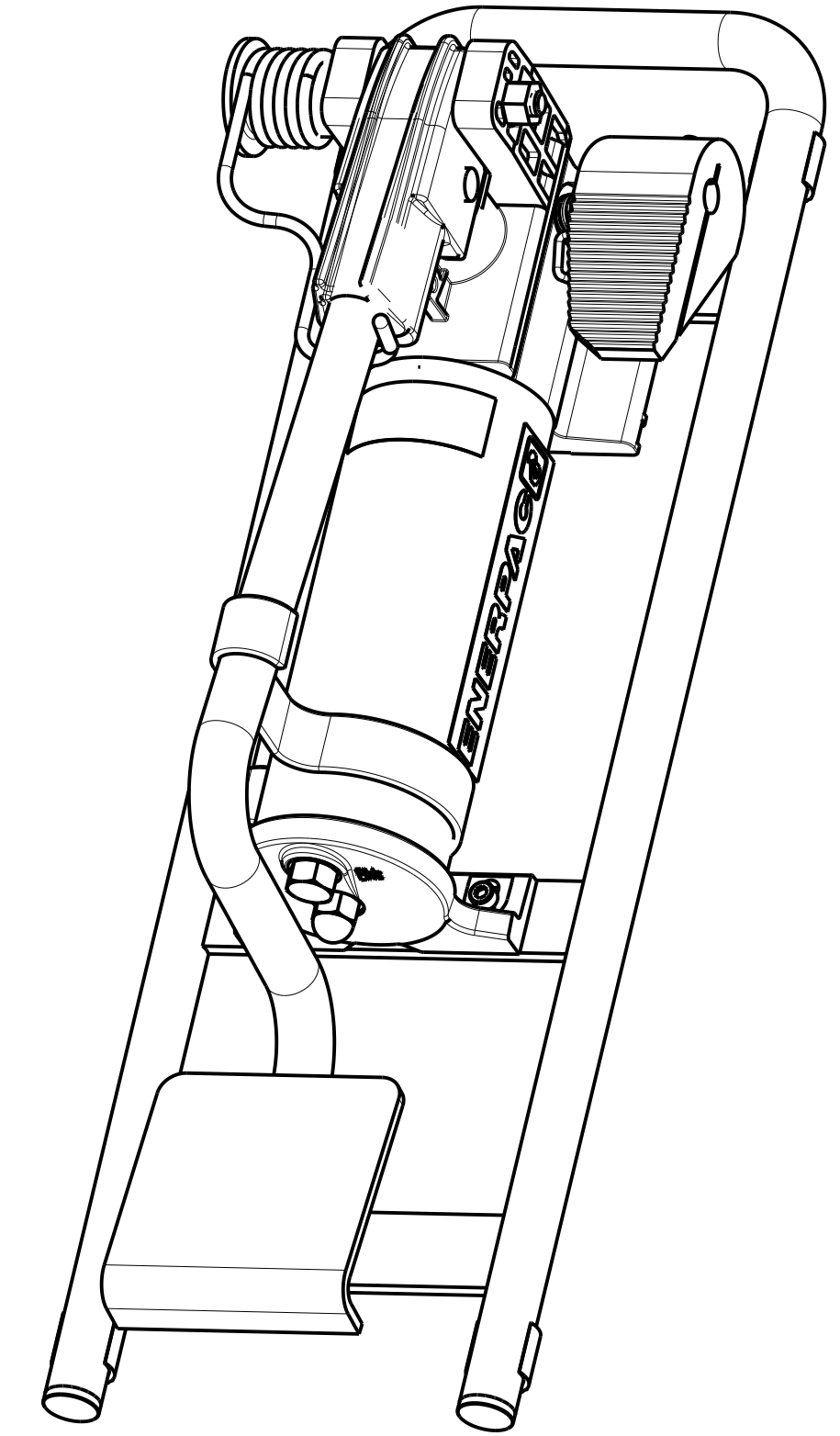
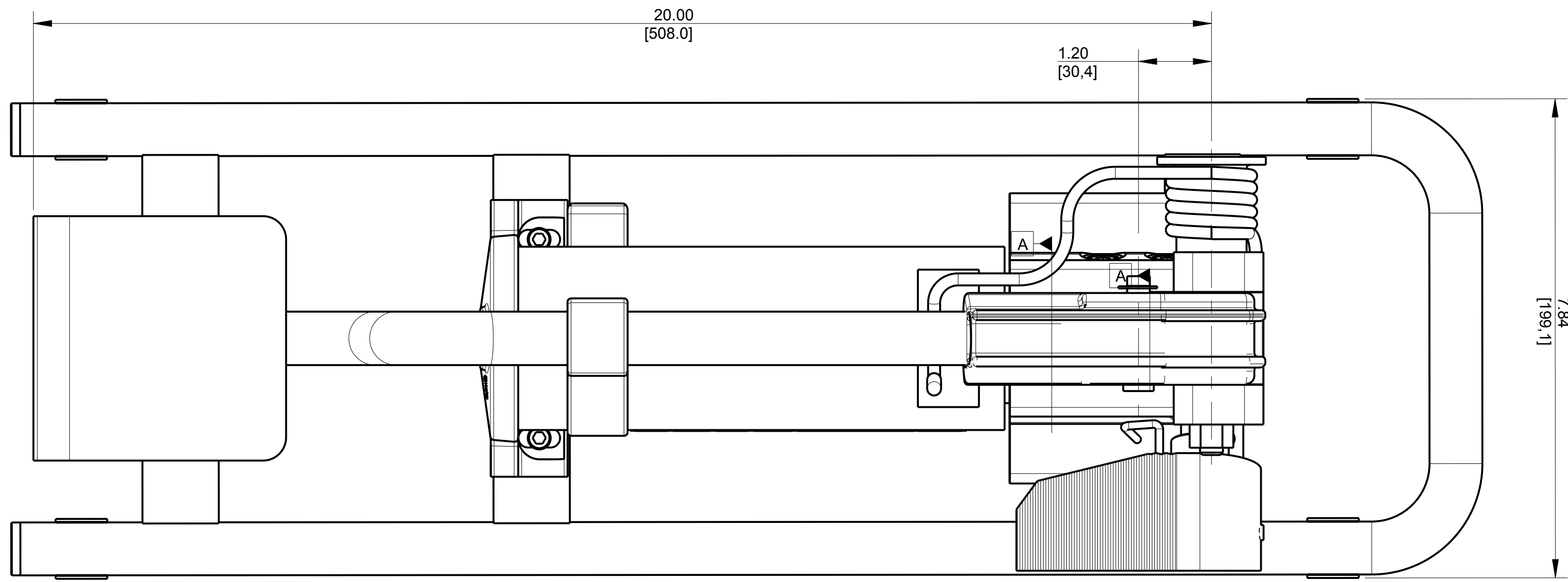
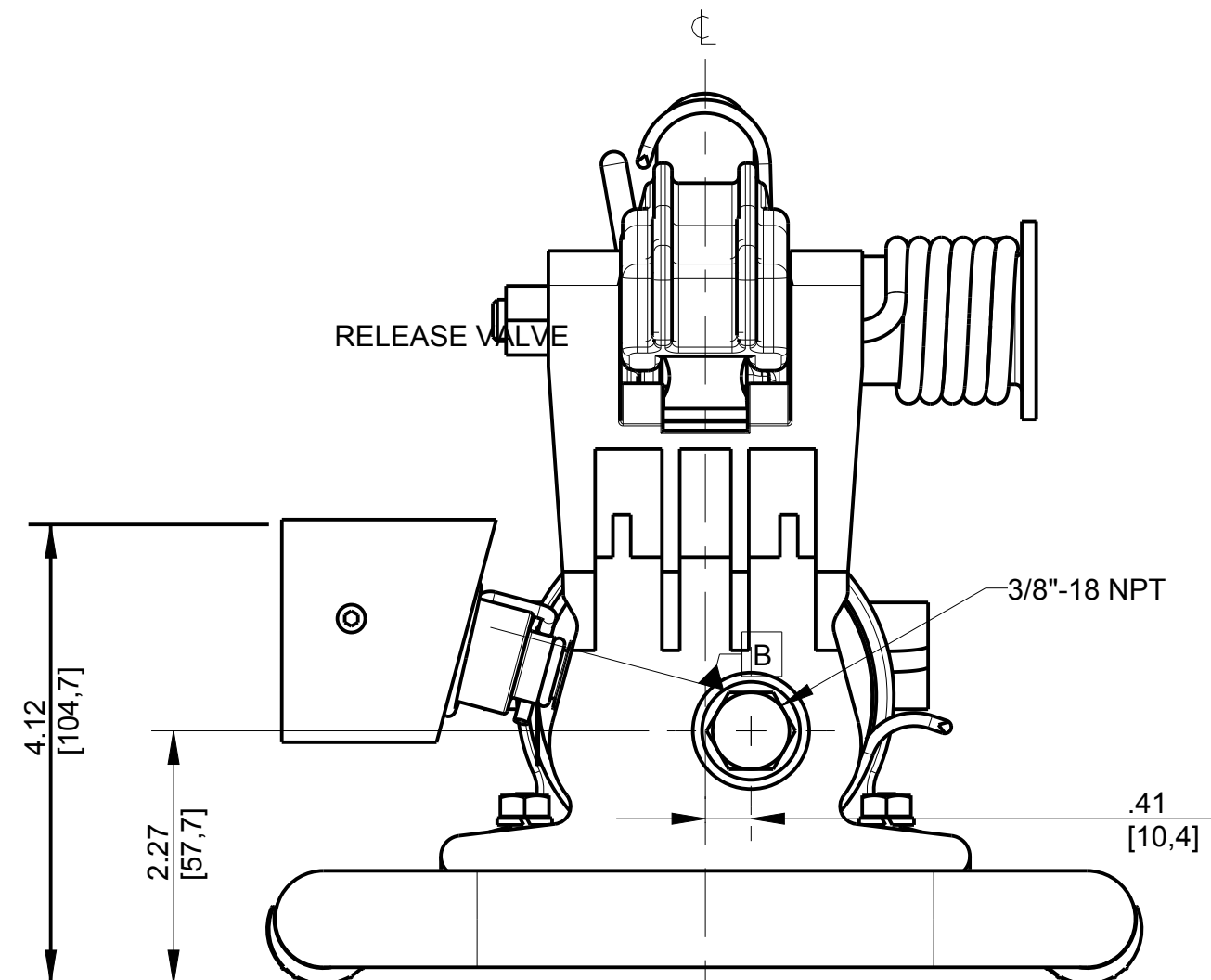
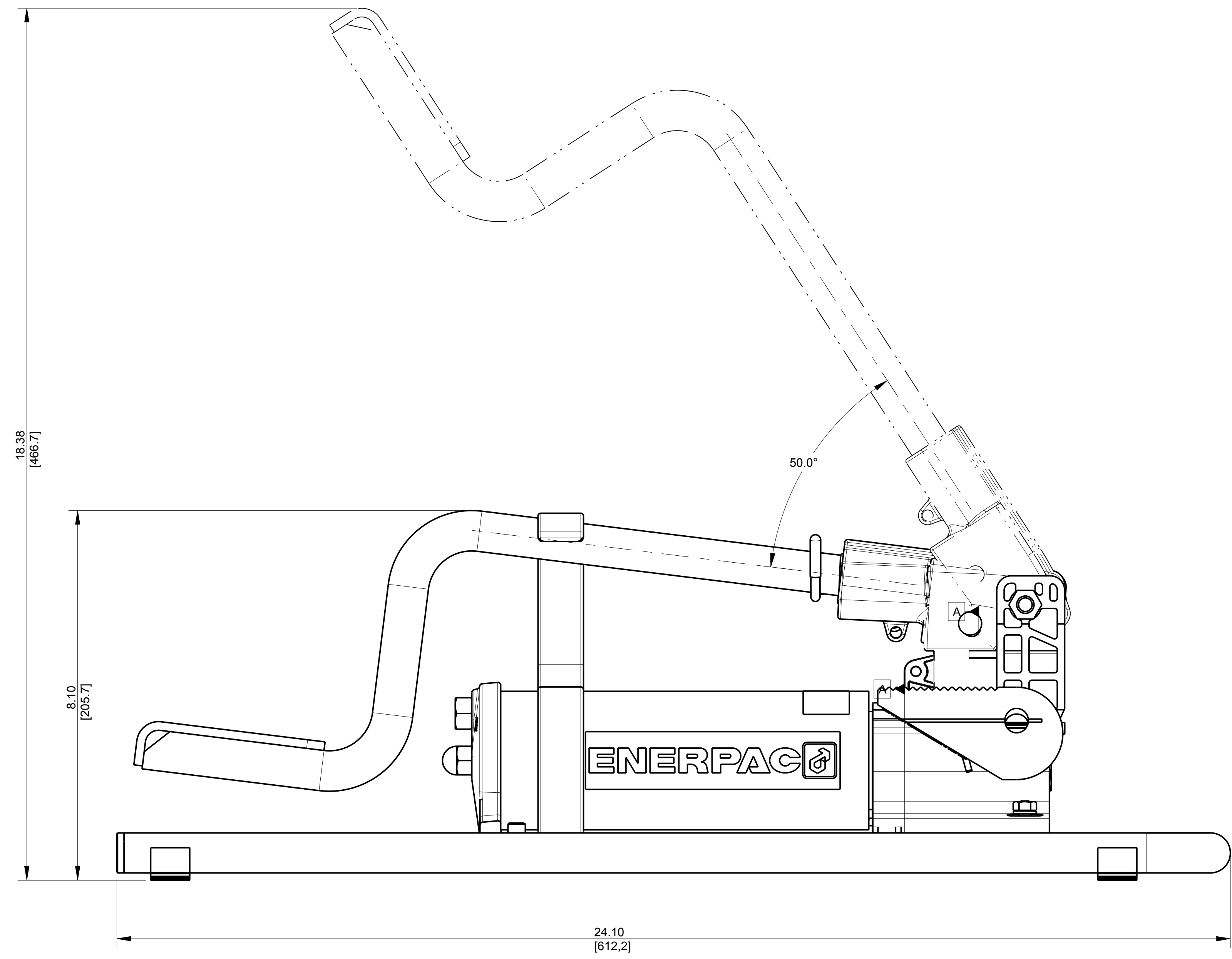


REVISION HISTORY		
REV	ECM #	DATE/INITIAL
A	0411007	06-6-05/LRB



SCALE 3:8



	UNLESS OTHERWISE SPECIFIED DIMENSIONS ARE IN INCHES TOLERANCES ARE: DECIMALS METRIC .XX ±.01    .XX ±0.25mm .XXX ±.005    .XXX ±0.1mm ANGLES ±1° DO NOT SCALE DRAWING	DATE 12-7-04	
	FINISH UNLESS SPECIFIED 	DRAWN BY: LRB 12-7-04 CHECKER: DAL 12-7-04 ENGR: DAL 12-7-04	
MATERIAL: FINISH: TREATMENT:	THIS PRINT AND INFORMATION HEREIN IS CONFIDENTIAL AND PROPRIETARY AND IS THE PROPERTY OF ENERPAC. IT IS NOT TO BE COPIED OR REPRODUCED WITHOUT WRITTEN PERMISSION.	SIZE D	DWG NO. ID10841 SCALE 5:8 DWG FORMAT Pro/E SHEET 1 of 1 FILE NO.